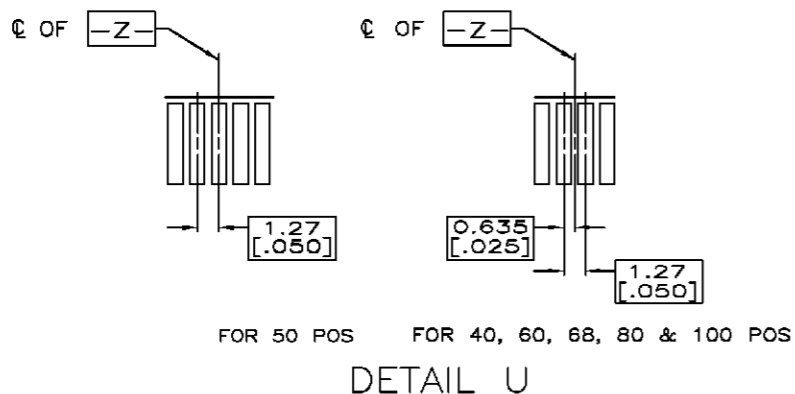
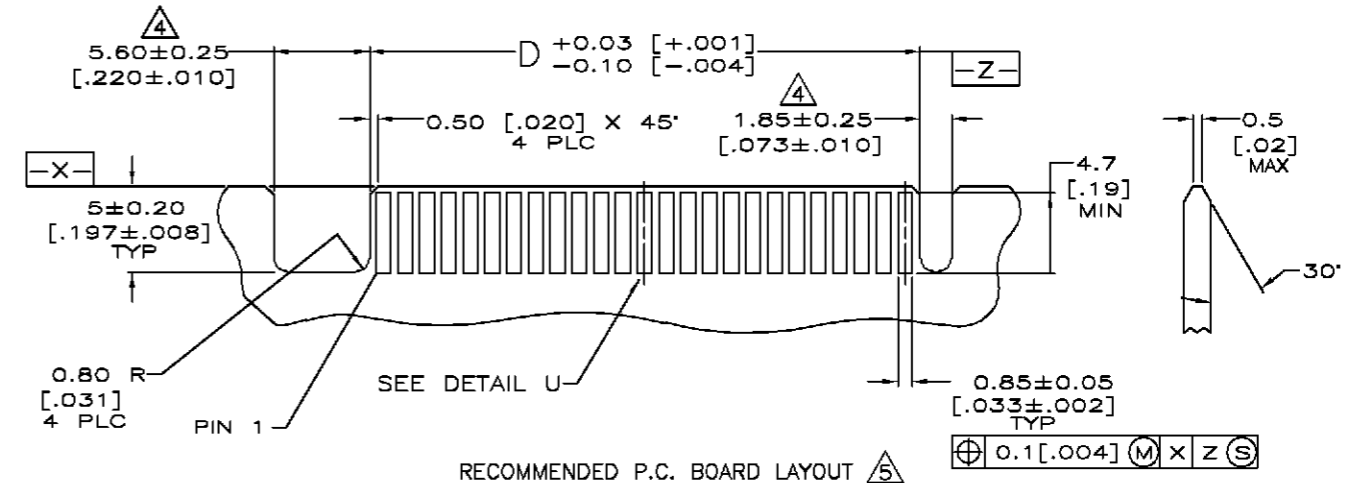
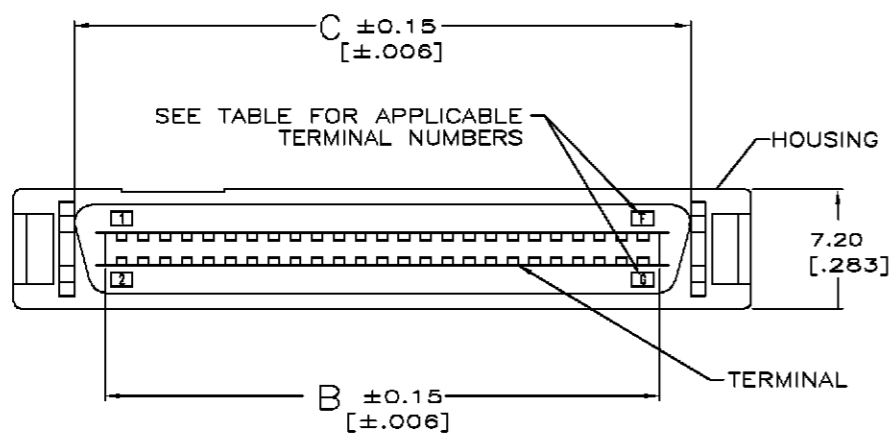
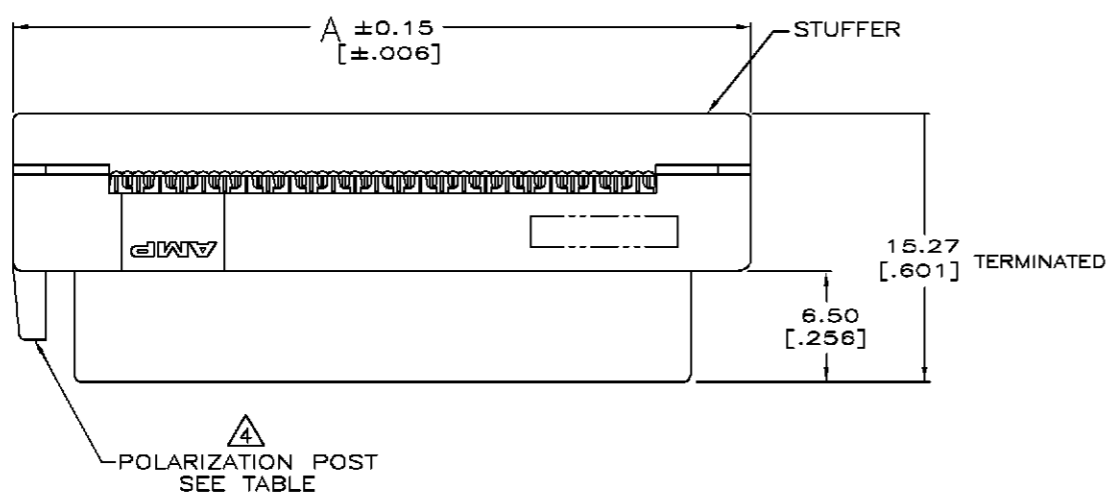


THIS INFORMATION IS CONFIDENTIAL AND IS DISCLOSED TO YOU ON CONDITION THAT NO FURTHER DISCLOSURE IS MADE BY YOU TO OTHER THAN AMP PERSONNEL WITHOUT WRITTEN AUTHORIZATION FROM AMP (TAIWAN) LTD. DIMENSIONS IN MILLIMETERS. DO NOT SCALE PRINT.

NUMBER C-1734098
METRIC
3RD ANGLE PROJECTION



- HOUSING AND COVER- POLYESTER, BLACK, 94V-0.
- CONNECTOR WILL TERMINATE .63 [.025] CENTERLINE FLAT RIBBON CABLE, #30 AWG SOLID,PVC INSULATION.
- DIMENSIONS SHOWN ARE MAXIMUM UNLESS OTHERWISE SPECIFIED.
- REQUIRED FOR POLARIZATION OF RIBBON CABLE EDGE CONNECTOR TO P.C. BOARD.
- CONNECTOR WILL ACCOMODATE PRINTED CIRCUIT BOARD THICKNESS OF 1.42-1.72 [.056-.068].
- ALL P/NS ARE PACKAGED IN TUBES, THEY ARE THE SAME PRODUCT AS 787693-2, -4, -5, -3, -6, -1 RESPECTIVELY, WHICH ARE PACKAGED IN TRAYS.
- TERMINALS-PHOSPHOR BRONZE WITH 0.76μm [.000030] MINIMUM GOLD IN CONTACT AREA AND 3.81μm [.000150] MINIMUM TIN ON TERMINATING AREA, ALL OVER 1.27μm [.000050] MINIMUM NICKEL.
- LEAD CONTENT: 1000 PPM UNDER.

100	99	63.93	2.517	67.77	2.668	64.13	2.525	74.85	2.947	100	1-1734098-0
80	79	51.23	2.017	55.07	2.168	51.43	2.025	62.15	2.447	80	1734098-8
68	67	43.61	1.717	47.45	1.868	43.81	1.725	54.53	2.147	68	1734098-7
60	59	38.53	1.517	42.37	1.668	38.73	1.525	49.45	1.947	60	1734098-6
50	49	32.18	1.267	36.02	1.418	32.38	1.275	43.10	1.697	50	1734098-5
40	39	25.70	1.012	29.67	1.168	26.03	1.025	36.75	1.447	40	1734098-4

G	F	D	C	B	A	NO OF POSN	PART NUMBER
DIMENSION :				DWN	O. HU	100	
0 PLC ±				26-MAR-2004		1-1734098-0	
1 PLC ±				CHK	S. HOU	80	
2 PLC ±				26-MAR-2004		1734098-8	
3 PLC ±				NAME		68	
ANGLES : ±1'				APVD		1734098-7	
MATERIAL				T. KE		60	
SEE TABLE				26-MAR-2004		1734098-6	
FINISH				PRODUCT SPEC		50	
SEE TABLE				108-1514		1734098-5	
APPLY SPEC				114-6064		40	
WEIGHT				LOC		1734098-4	
DW				SIZE		100	
A ₃				DRAWING NO		1-1734098-0	
SCALE				REV		0	
--				SHEET		1 OF 1	

LEAD FREE

O	FIRST RELEASE	FZ00-0026-04	OH SH	26MAR 2004
LTR	REVISION RECORD	ECN	DWN CHK	DATE